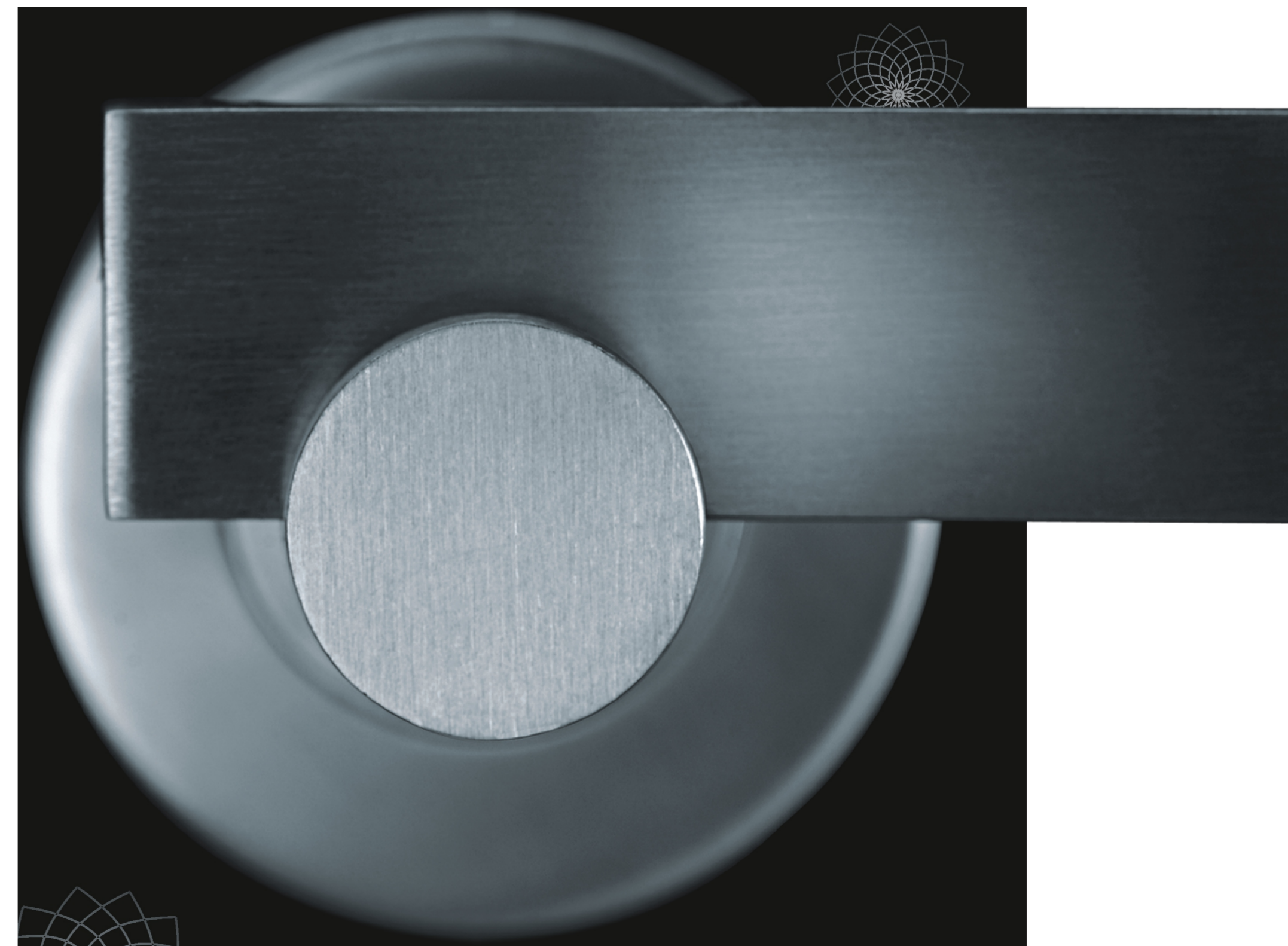


AMTHY

WORKING FOR THE METAL ARTWORK OF MODERN AND MINIMALISM

KNOB LOCK

www.amthy.com





UNIQUE INGENUITY

Ingenuity



PROFESSION **AWARENESS**

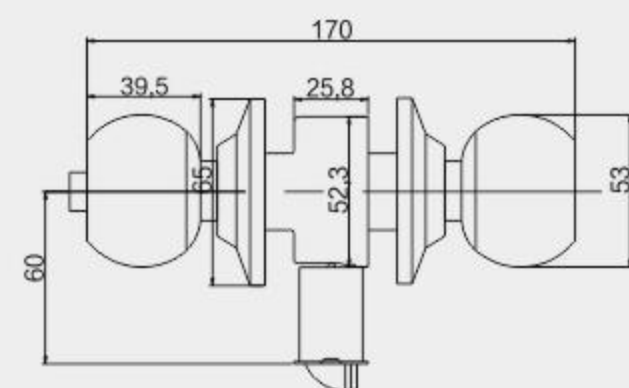
technology



587



587AB

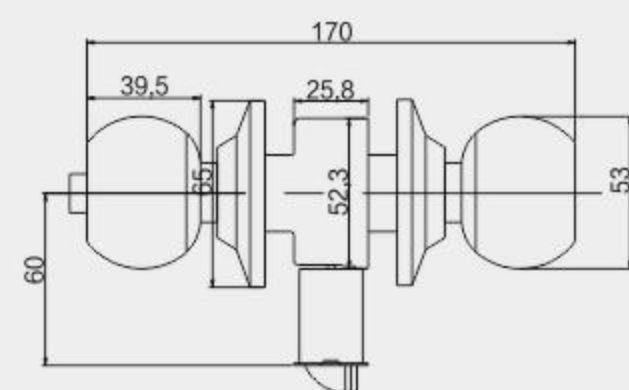


Specifications-产品描述

- ◆ Material-材质 Iron / 铁
- ◆ Door Thickness-适用门厚 38-45 mm
- ◆ Backset-门边距 60 mm



587AC

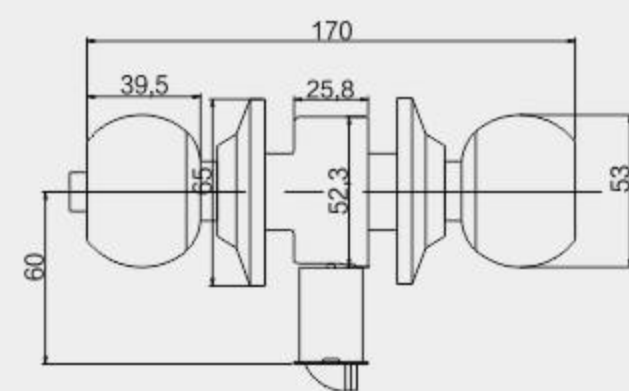


Specifications-产品描述

- ◆ Material-材质 Iron / 铁
- ◆ Door Thickness-适用门厚 38-45 mm
- ◆ Backset-门边距 60 mm



587GP



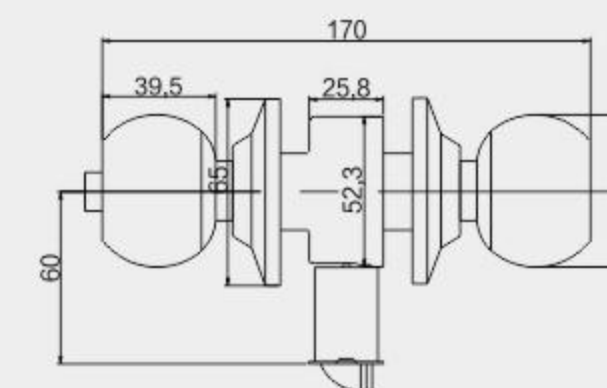
Specifications-产品描述

- ◆ Material-材质 Iron / 铁
- ◆ Door Thickness-适用门厚 38-45 mm
- ◆ Backset-门边距 60 mm

587



587SN

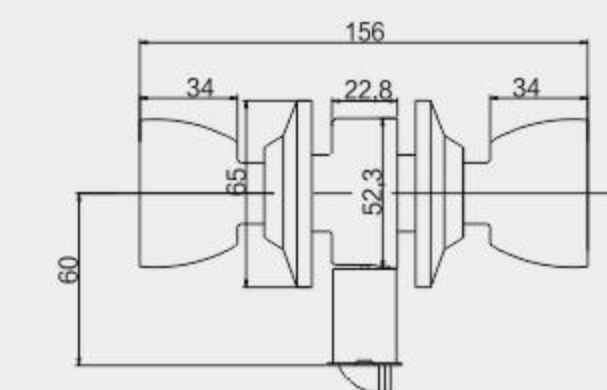


Specifications-产品描述

- ◆ Material-材质 Iron / 铁
- ◆ Door Thickness-适用门厚 38-45 mm
- ◆ Backset-门边距 60 mm



588AB

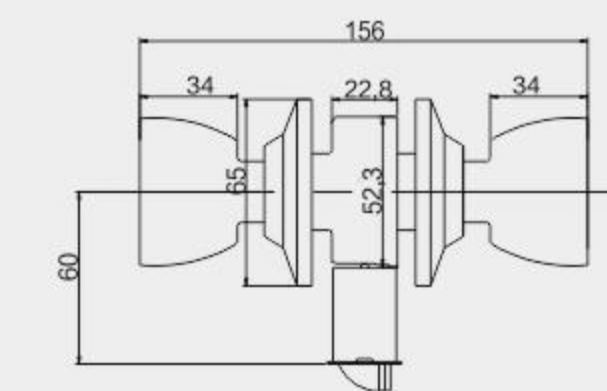


Specifications-产品描述

- ◆ Material-材质 Iron / 铁
- ◆ Door Thickness-适用门厚 38-45 mm
- ◆ Backset-门边距 60 mm



588AC



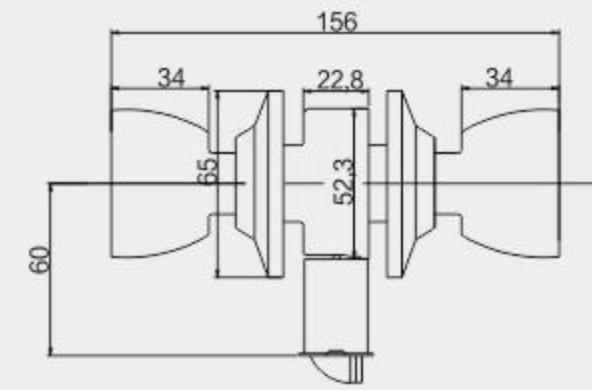
Specifications-产品描述

- ◆ Material-材质 Iron / 铁
- ◆ Door Thickness-适用门厚 38-45 mm
- ◆ Backset-门边距 60 mm

588



588ACM

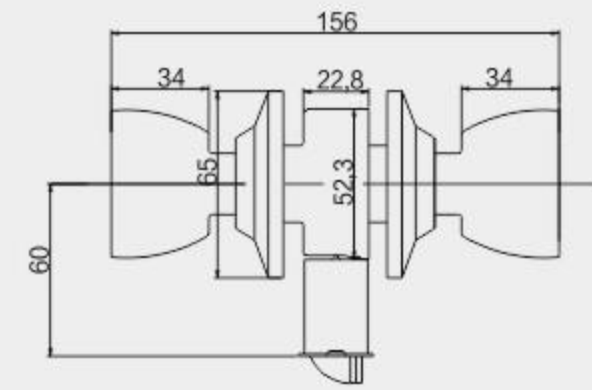


Specifications-产品描述

- ◆ Material-材质 Iron / 铁
- ◆ Door Thickness-适用门厚 38-45 mm
- ◆ Backset-门边距 60 mm



588AC

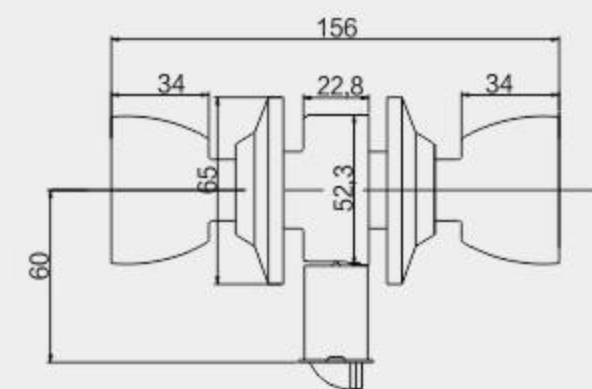


Specifications-产品描述

- ◆ Material-材质 Iron / 铁
- ◆ Door Thickness-适用门厚 38-45 mm
- ◆ Backset-门边距 60 mm



588GP



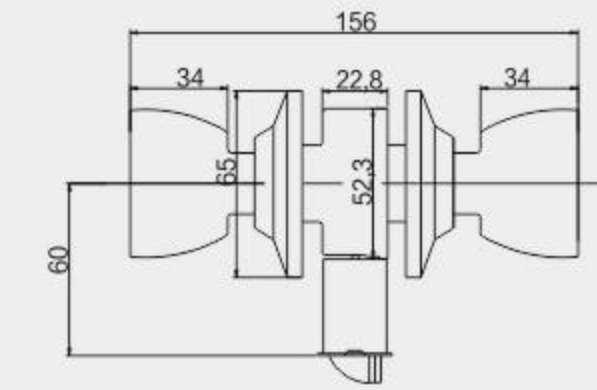
Specifications-产品描述

- ◆ Material-材质 Iron / 铁
- ◆ Door Thickness-适用门厚 38-45 mm
- ◆ Backset-门边距 60 mm

588



588SN

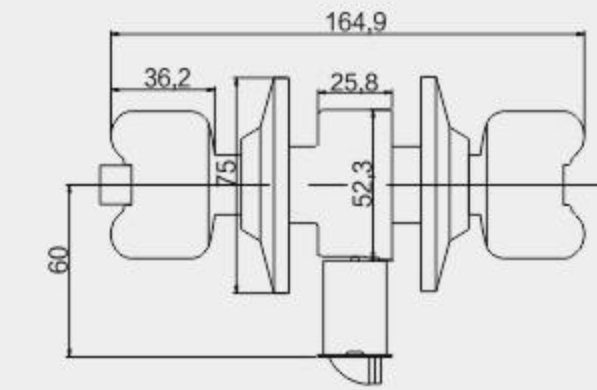


Specifications-产品描述

- ◆ Material-材质 Iron / 铁
- ◆ Door Thickness-适用门厚 38-45 mm
- ◆ Backset-门边距 60 mm



582AC

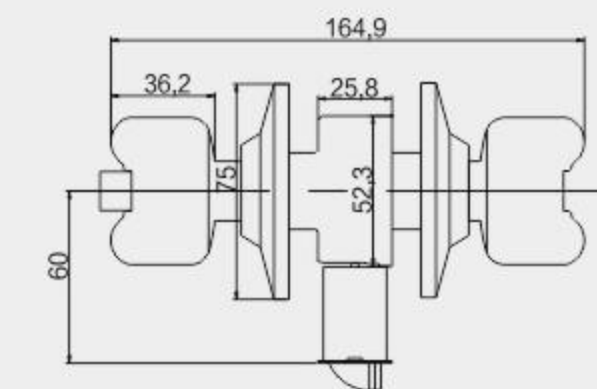


Specifications-产品描述

- ◆ Material-材质 Iron / 铁
- ◆ Door Thickness-适用门厚 38-45 mm
- ◆ Backset-门边距 60 mm



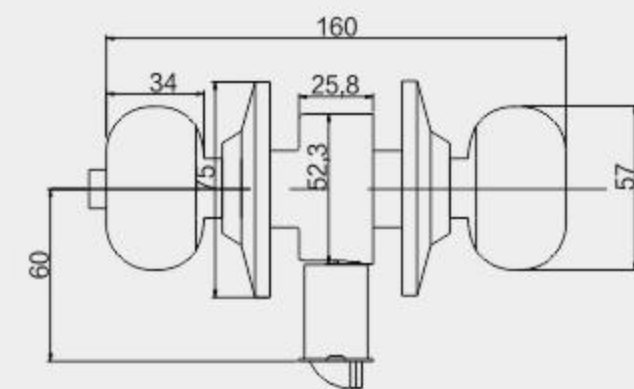
589AC



Specifications-产品描述

- ◆ Material-材质 Iron / 铁
- ◆ Door Thickness-适用门厚 38-45 mm
- ◆ Backset-门边距 60 mm

5795

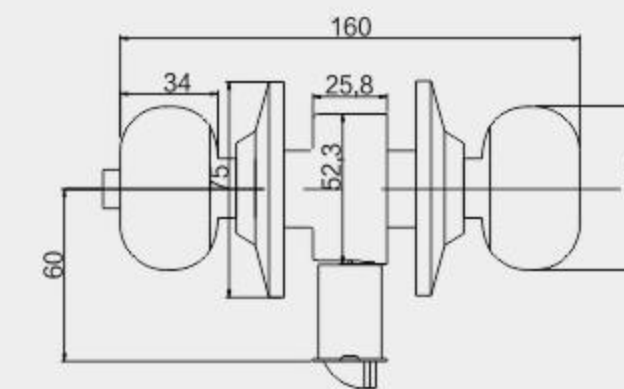


5795AC-BN

Specifications-产品描述

- ◆ Material-材质 Iron / 铁
- ◆ Door Thickness-适用门厚 38-45 mm
- ◆ Backset-门边距 60 mm

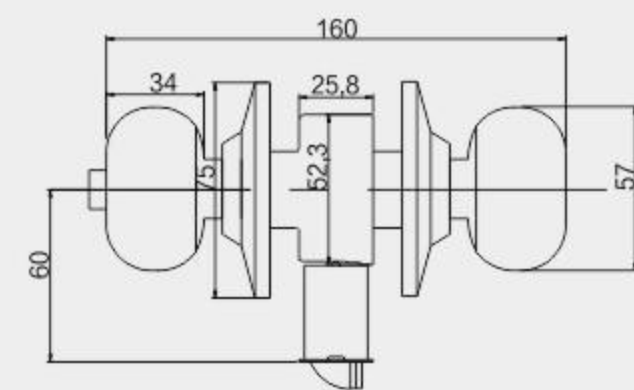
5798



5798AC-BN

Specifications-产品描述

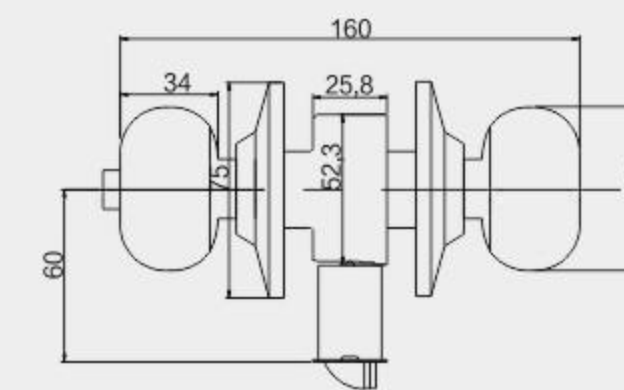
- ◆ Material-材质 Iron / 铁
- ◆ Door Thickness-适用门厚 38-45 mm
- ◆ Backset-门边距 60 mm



5796AC-BN

Specifications-产品描述

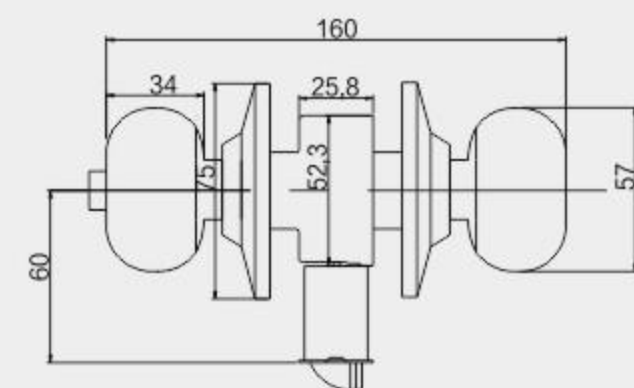
- ◆ Material-材质 Iron / 铁
- ◆ Door Thickness-适用门厚 38-45 mm
- ◆ Backset-门边距 60 mm



5799AC-BN

Specifications-产品描述

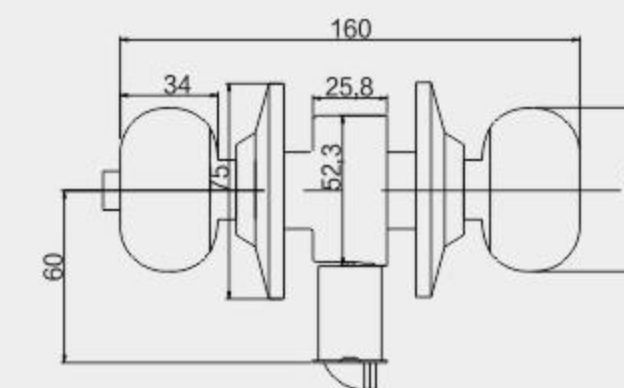
- ◆ Material-材质 Iron / 铁
- ◆ Door Thickness-适用门厚 38-45 mm
- ◆ Backset-门边距 60 mm



5797AC-BN

Specifications-产品描述

- ◆ Material-材质 Iron / 铁
- ◆ Door Thickness-适用门厚 38-45 mm
- ◆ Backset-门边距 60 mm



5871AC-BN

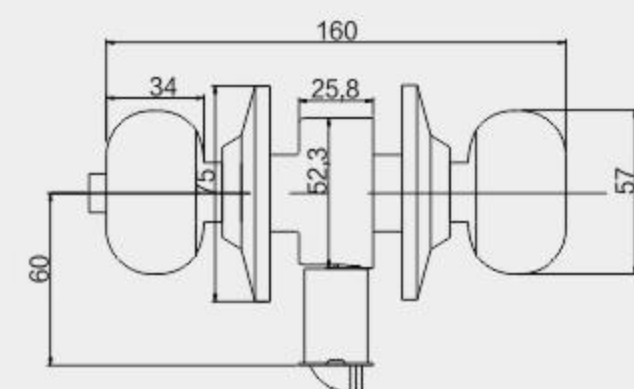
Specifications-产品描述

- ◆ Material-材质 Iron / 铁
- ◆ Door Thickness-适用门厚 38-45 mm
- ◆ Backset-门边距 60 mm

5872



5872AC-BN

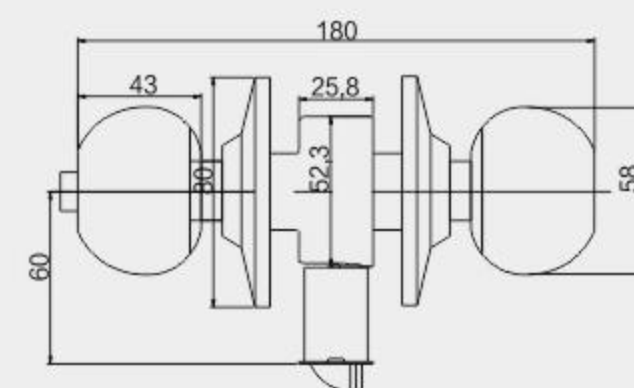


Specifications-产品描述

- ◆ Material-材质 Iron / 铁
- ◆ Door Thickness-适用门厚 38-45 mm
- ◆ Backset-门边距 60 mm



891MAB

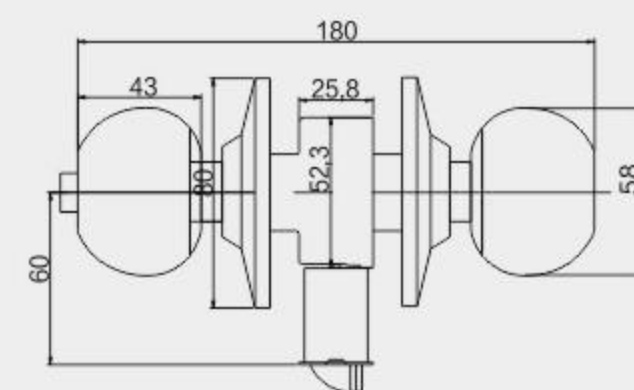


Specifications-产品描述

- ◆ Material-材质 Iron / 铁
- ◆ Door Thickness-适用门厚 38-45 mm
- ◆ Backset-门边距 60 mm



891SN



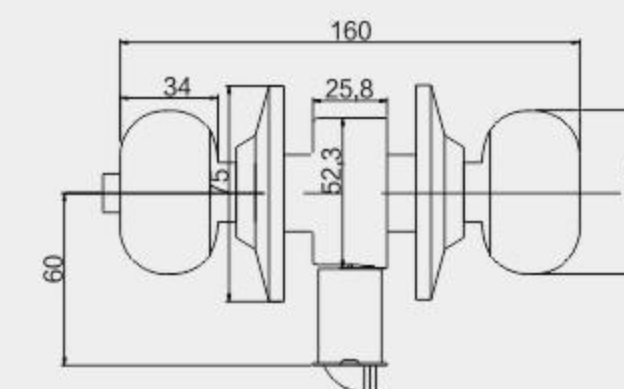
Specifications-产品描述

- ◆ Material-材质 Iron / 铁
- ◆ Door Thickness-适用门厚 38-45 mm
- ◆ Backset-门边距 60 mm

5791



5791SN

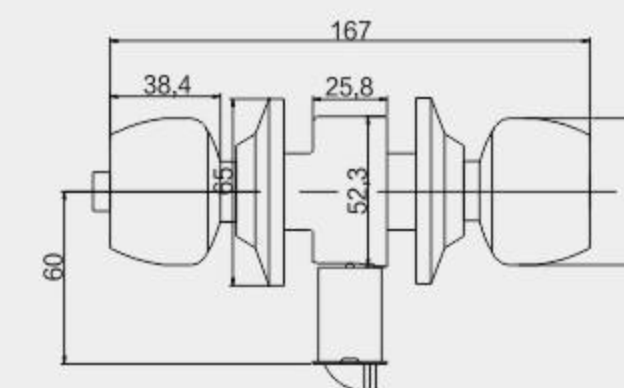


Specifications-产品描述

- ◆ Material-材质 Iron / 铁
- ◆ Door Thickness-适用门厚 38-45 mm
- ◆ Backset-门边距 60 mm



578AB

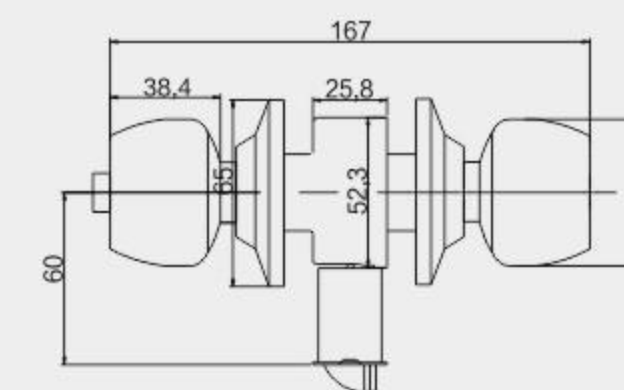


Specifications-产品描述

- ◆ Material-材质 Iron / 铁
- ◆ Door Thickness-适用门厚 38-45 mm
- ◆ Backset-门边距 60 mm



578GP



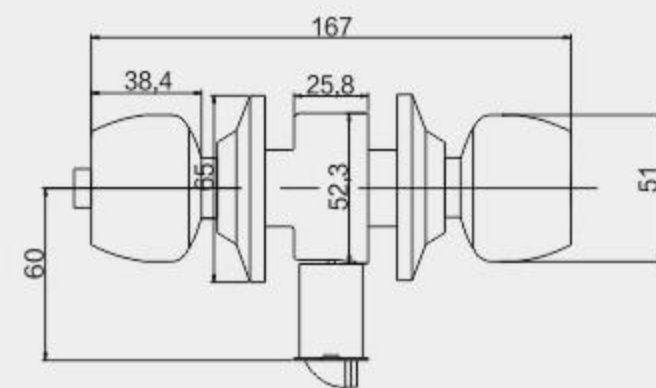
Specifications-产品描述

- ◆ Material-材质 Iron / 铁
- ◆ Door Thickness-适用门厚 38-45 mm
- ◆ Backset-门边距 60 mm

5731



5731AB

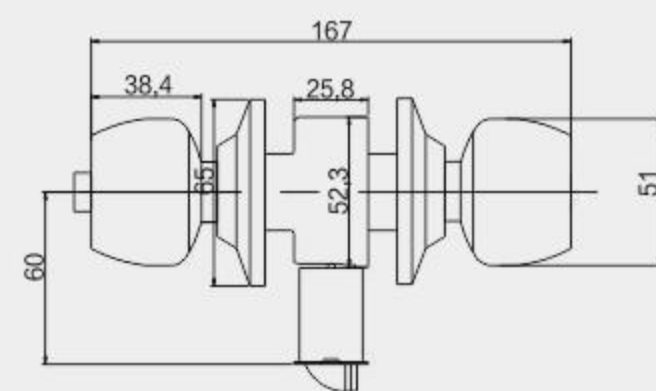


Specifications-产品描述

- ◆ Material-材质 Iron / 铁
- ◆ Door Thickness-适用门厚 38-45 mm
- ◆ Backset-门边距 60 mm



5831GP

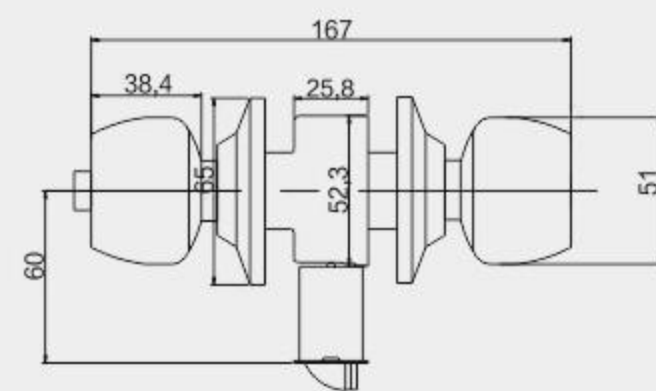


Specifications-产品描述

- ◆ Material-材质 Iron / 铁
- ◆ Door Thickness-适用门厚 38-45 mm
- ◆ Backset-门边距 60 mm



5831SN



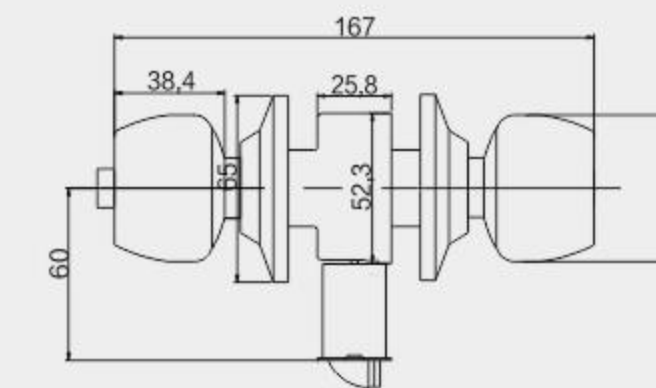
Specifications-产品描述

- ◆ Material-材质 Iron / 铁
- ◆ Door Thickness-适用门厚 38-45 mm
- ◆ Backset-门边距 60 mm

5831



5831

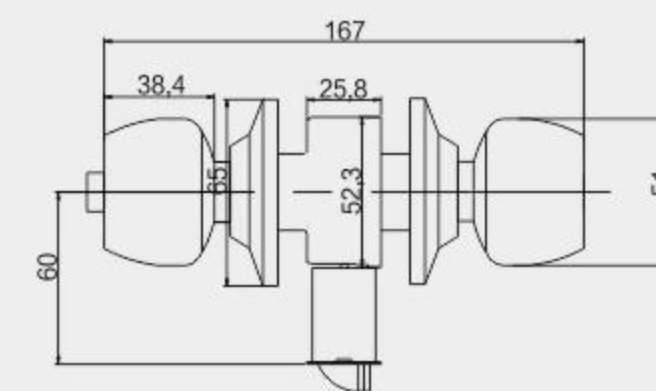


Specifications-产品描述

- ◆ Material-材质 Iron / 铁
- ◆ Door Thickness-适用门厚 38-45 mm
- ◆ Backset-门边距 60 mm



5831TM

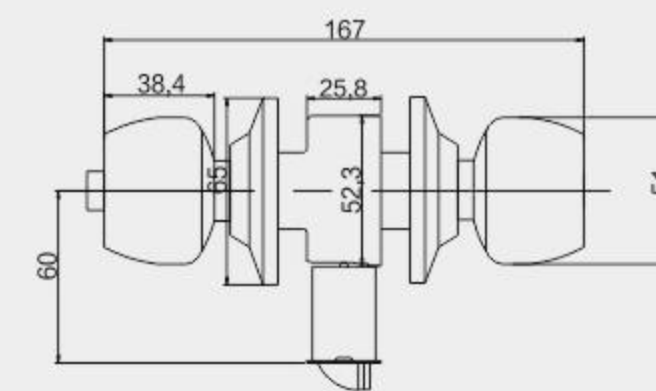


Specifications-产品描述

- ◆ Material-材质 Iron / 铁
- ◆ Door Thickness-适用门厚 38-45 mm
- ◆ Backset-门边距 60 mm



5831TML



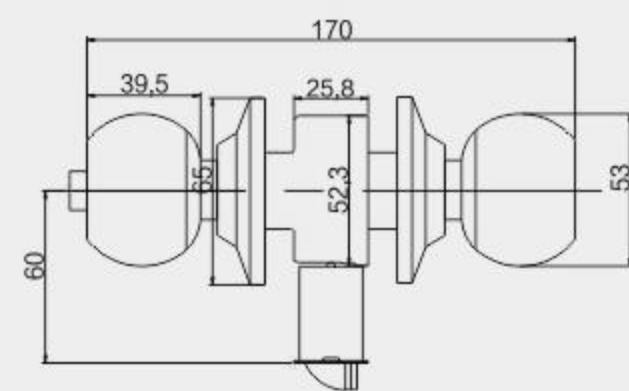
Specifications-产品描述

- ◆ Material-材质 Iron / 铁
- ◆ Door Thickness-适用门厚 38-45 mm
- ◆ Backset-门边距 60 mm

587



587TM

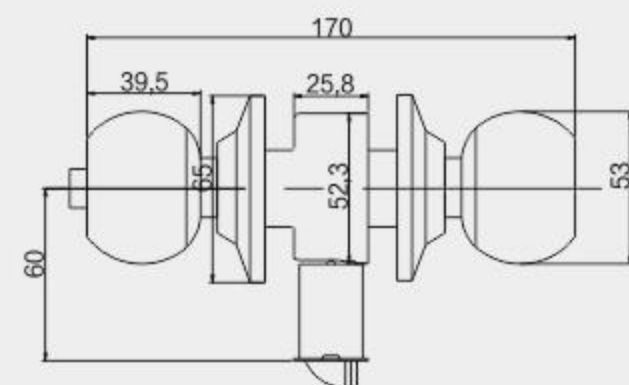


Specifications-产品描述

- ◆ Material-材质 Iron / 铁
- ◆ Door Thickness-适用门厚 38-45 mm
- ◆ Backset-门边距 60 mm



9200W

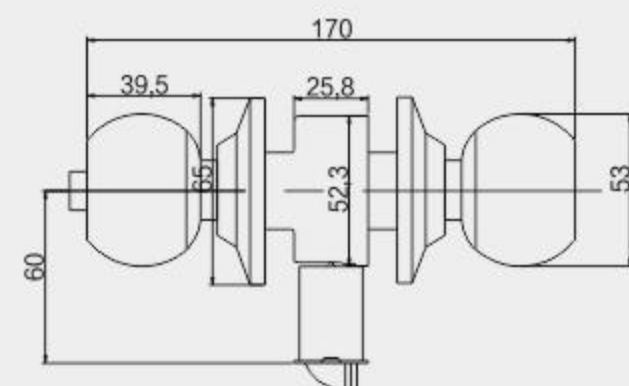


Specifications-产品描述

- ◆ Material-材质 Iron / 铁
- ◆ Door Thickness-适用门厚 38-45 mm
- ◆ Backset-门边距 60 mm



9200G

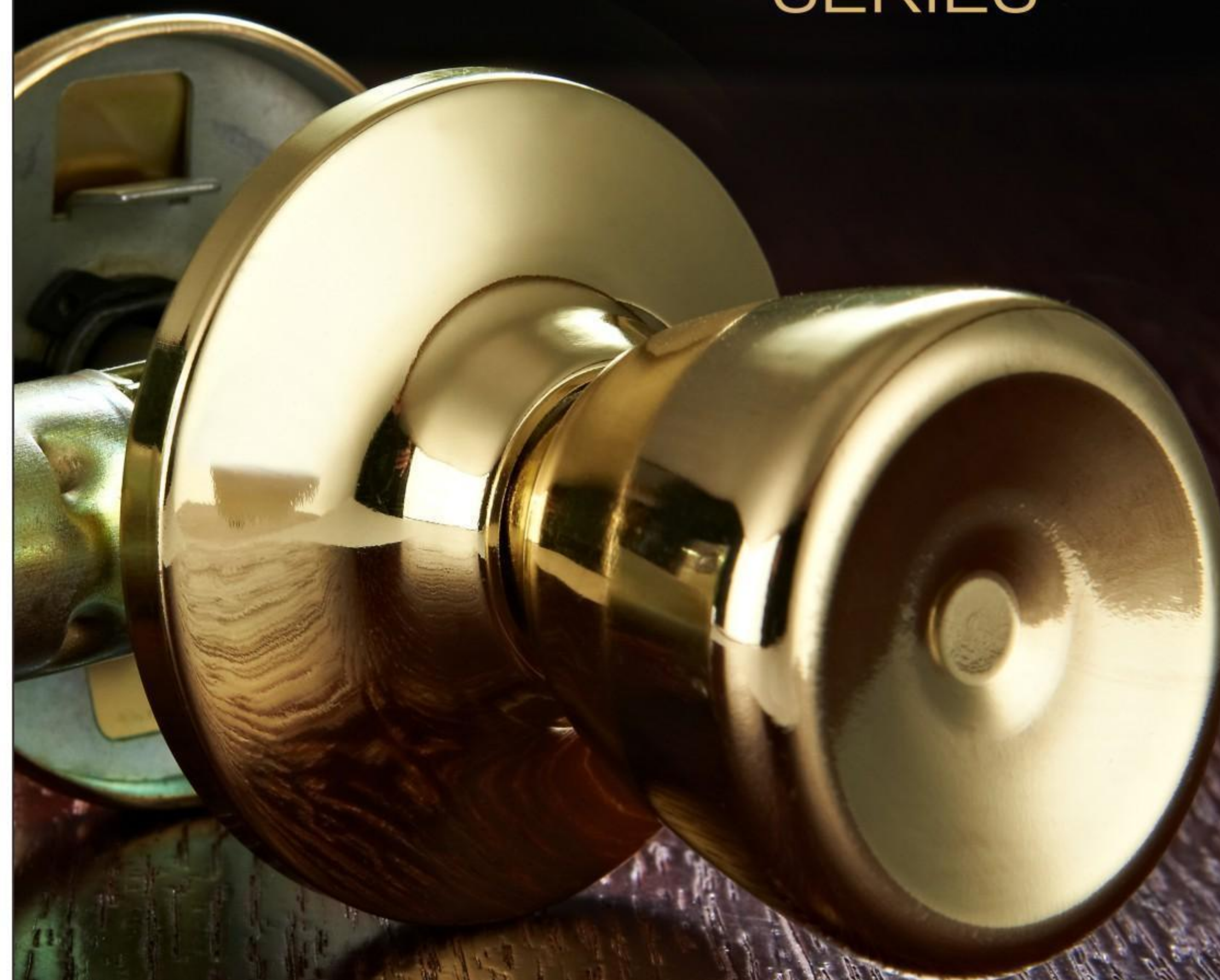


Specifications-产品描述

- ◆ Material-材质 Iron / 铁
- ◆ Door Thickness-适用门厚 38-45 mm
- ◆ Backset-门边距 60 mm

三杆系列

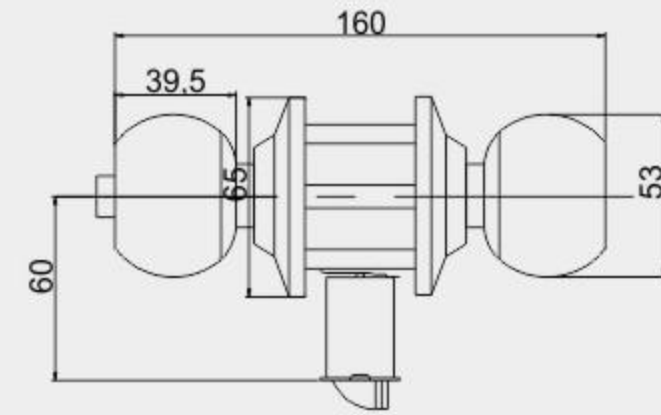
THREE ROD SERIES



200-2



200-2SNGP

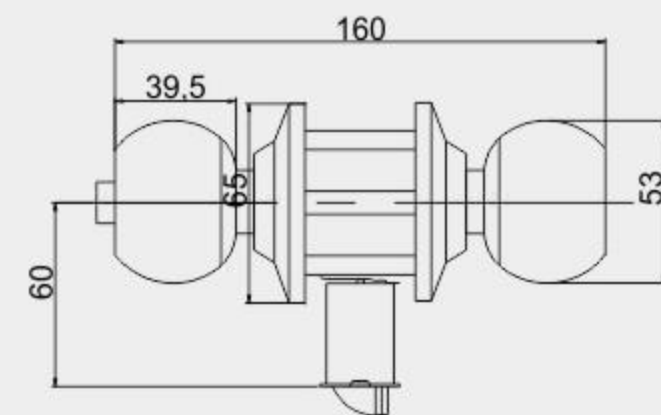


Specifications-产品描述

- ◆ Material-材质 Zinc / 锌合金
- ◆ Door Thickness-适用门厚 38-45 mm
- ◆ Backset-门边距 60-70 mm



200-4CPPS

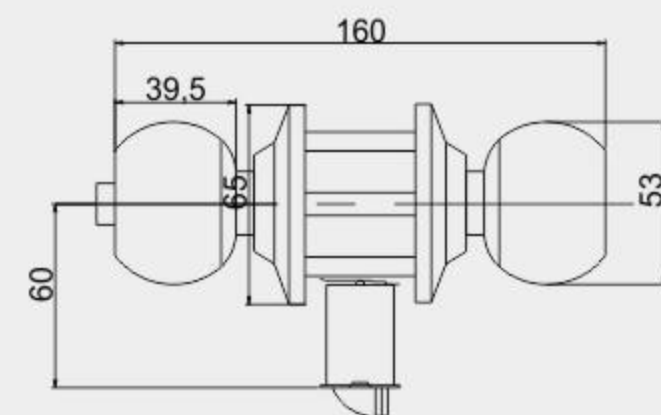


Specifications-产品描述

- ◆ Material-材质 Zinc / 锌合金
- ◆ Door Thickness-适用门厚 38-45 mm
- ◆ Backset-门边距 60-70 mm



200-4SB



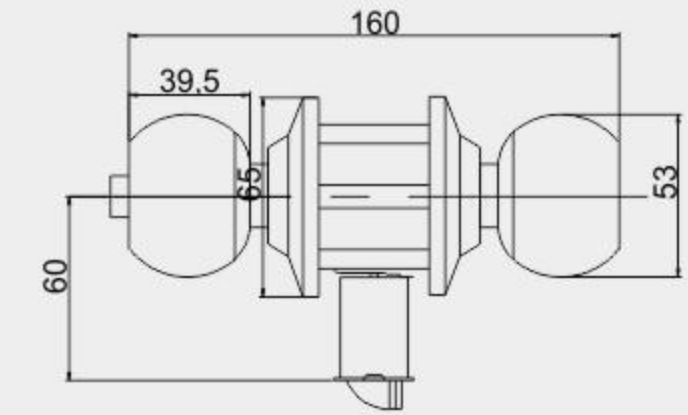
Specifications-产品描述

- ◆ Material-材质 Zinc / 锌合金
- ◆ Door Thickness-适用门厚 38-45 mm
- ◆ Backset-门边距 60-70 mm

200-7



200-7CP

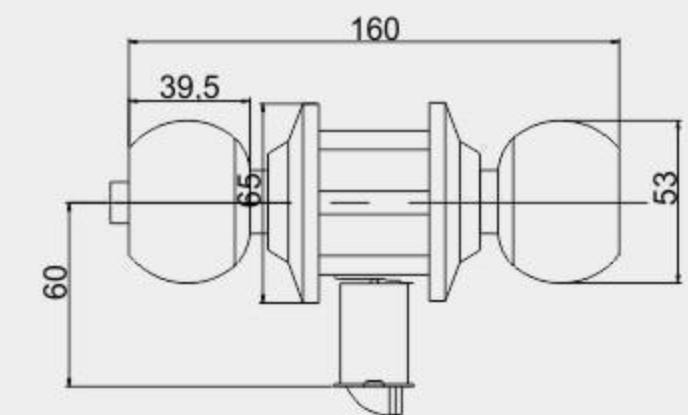


Specifications-产品描述

- ◆ Material-材质 Zinc / 锌合金
- ◆ Door Thickness-适用门厚 38-45 mm
- ◆ Backset-门边距 60-70 mm



200-7GP

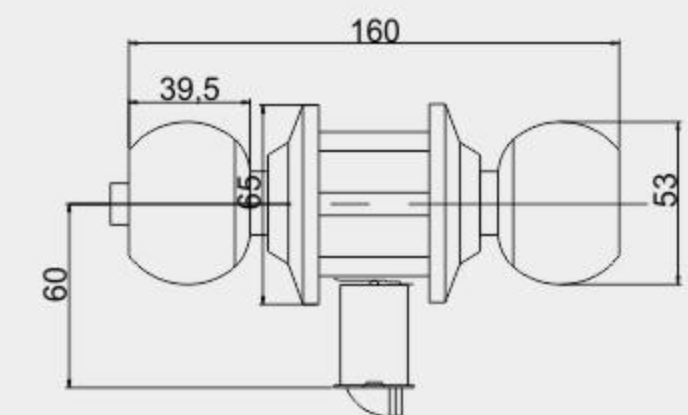


Specifications-产品描述

- ◆ Material-材质 Zinc / 锌合金
- ◆ Door Thickness-适用门厚 38-45 mm
- ◆ Backset-门边距 60-70 mm



200-7MAB



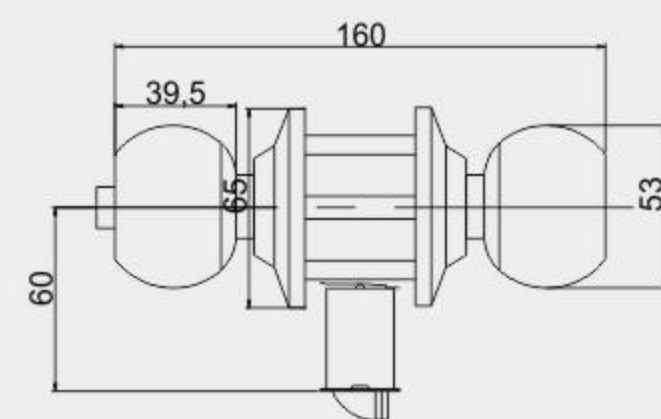
Specifications-产品描述

- ◆ Material-材质 Zinc / 锌合金
- ◆ Door Thickness-适用门厚 38-45 mm
- ◆ Backset-门边距 60-70 mm

200-15



200-15GP

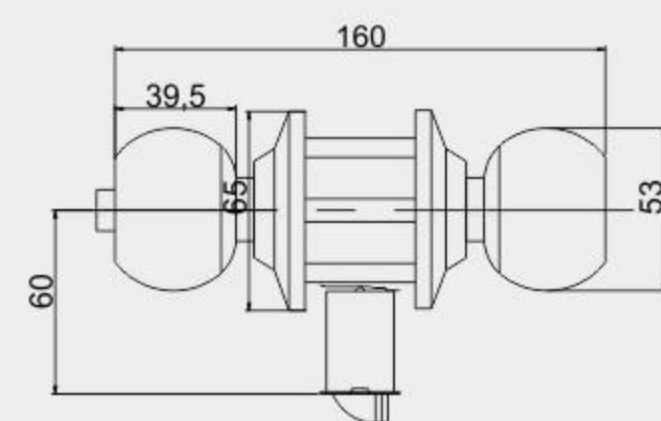


Specifications-产品描述

- ◆ Material-材质 Zinc / 锌合金
- ◆ Door Thickness-适用门厚 38-45 mm
- ◆ Backset-门边距 60-70 mm



200-15SN

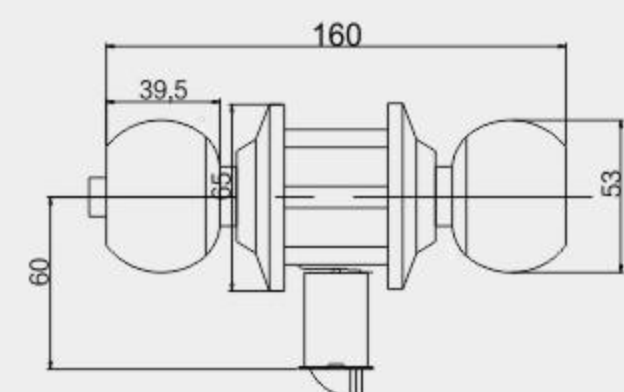


Specifications-产品描述

- ◆ Material-材质 Zinc / 锌合金
- ◆ Door Thickness-适用门厚 38-45 mm
- ◆ Backset-门边距 60-70 mm



607AB



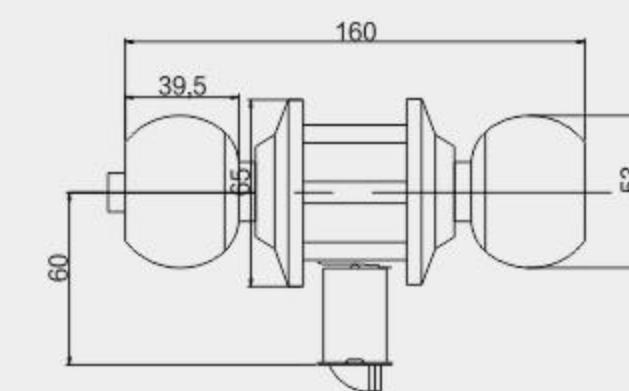
Specifications-产品描述

- ◆ Material-材质 Iron / 铁
- ◆ Door Thickness-适用门厚 38-45 mm
- ◆ Backset-门边距 60-70 mm

607



607GP

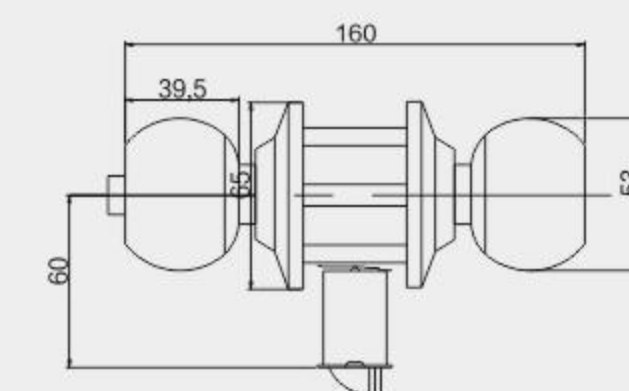


Specifications-产品描述

- ◆ Material-材质 Iron / 铁
- ◆ Door Thickness-适用门厚 38-45 mm
- ◆ Backset-门边距 60-70 mm



607SS

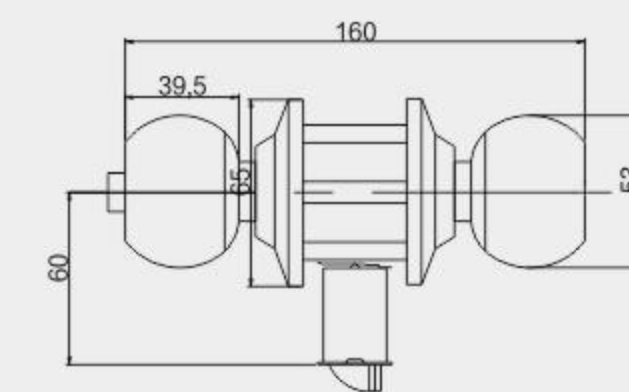


Specifications-产品描述

- ◆ Material-材质 Iron / 铁
- ◆ Door Thickness-适用门厚 38-45 mm
- ◆ Backset-门边距 60-70 mm



6078SN



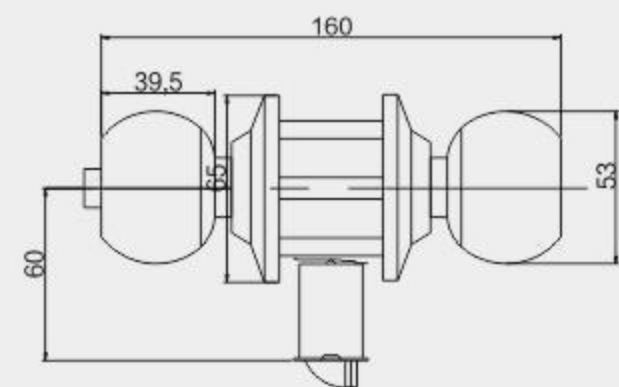
Specifications-产品描述

- ◆ Material-材质 Iron / 铁
- ◆ Door Thickness-适用门厚 38-45 mm
- ◆ Backset-门边距 60-70 mm

6078



6078SS-PS

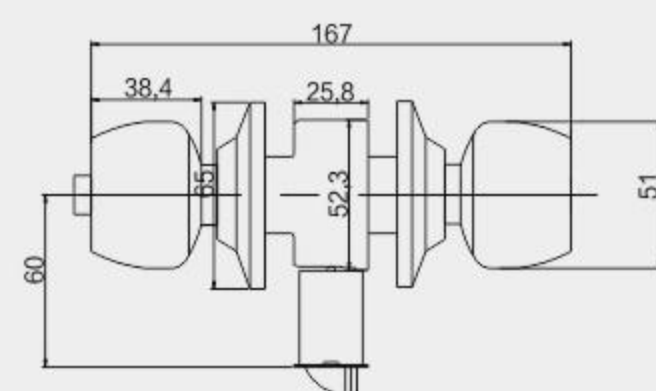


Specifications-产品描述

- ◆ Material-材质 Iron / 铁
- ◆ Door Thickness-适用门厚 38-45 mm
- ◆ Backset-门边距 60-70 mm



B5601GP-PS



Specifications-产品描述

- ◆ Material-材质 Iron / 铁
- ◆ Door Thickness-适用门厚 38-45 mm
- ◆ Backset-门边距 60-70 mm



D101AB

Specifications-产品描述

- ◆ Material-材质 Iron / 铁
- ◆ Door Thickness-适用门厚 38-45 mm
- ◆ Backset-门边距 60-70 mm

D101



D101GP

Specifications-产品描述

- ◆ Material-材质 Iron / 铁
- ◆ Door Thickness-适用门厚 38-45 mm
- ◆ Backset-门边距 60-70 mm



D102CP

Specifications-产品描述

- ◆ Material-材质 Iron / 铁
- ◆ Door Thickness-适用门厚 38-45 mm
- ◆ Backset-门边距 60-70 mm



D102SN

Specifications-产品描述

- ◆ Material-材质 Iron / 铁
- ◆ Door Thickness-适用门厚 38-45 mm
- ◆ Backset-门边距 60-70 mm